

AZO SMARTLED LED-150

ELECTRONIC POWER SUPPLY FOR LED LAMPS



Definition:

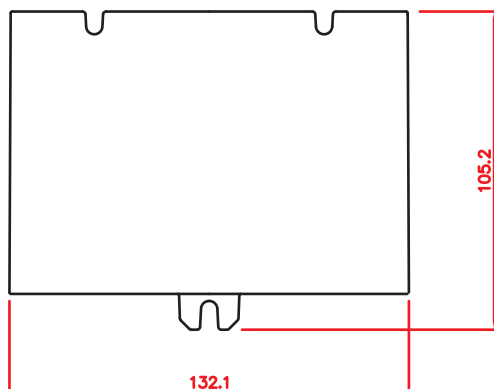
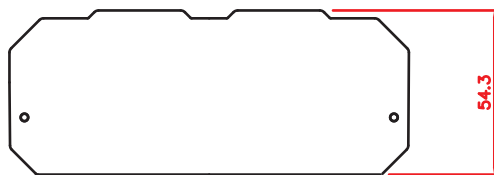
A one-piece, microchip controlled AC/DC power supply for LED luminaires with dimmer and calendar to create a new generation of intelligent lighting system.

Description:

- Unique solution: MULTI-STAGE POWER REDUCTION
- Software customizable output power in accordance with standards - automatic voltage and current adaptation
- High frequency operation for maximum efficiency
- Flicker free operation (no stroboscopic effect)
- Remote control operation (input/output port)
- A wide input voltage range
- Soft start
- Active PFC (not passive - zero loss of of apparent power)

Applications:

- Roads and Car parks
- Residential areas
- Tunnels
- Sports facilities and stadiums
- Industrial facilities
- Retail parks and shopping centres



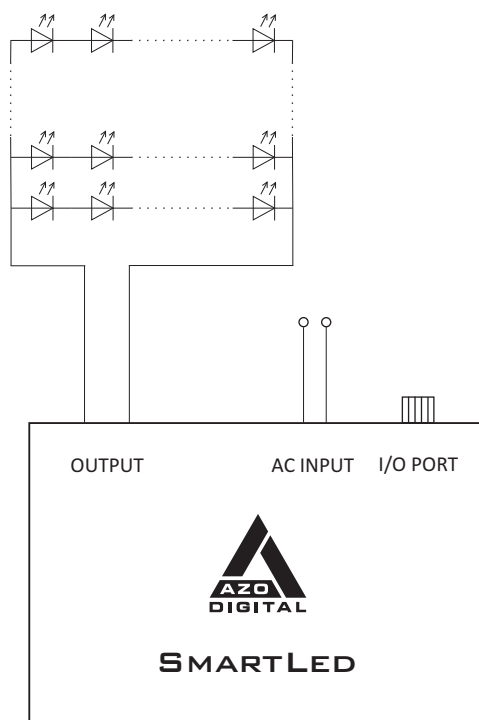
AZO SMARTLED LED-150

ELECTRONIC POWER SUPPLY FOR LED LAMPS

Technical data:

Input voltage	210 V - 250 V
Input voltage frequency	50 / 60 Hz
Nominal output power range	45 W - 150 W
Dimming range	30 % - 100 %
Power Factor (100% load)	0.98
Output voltage range	20 V - 60 V
Output current	limited by the power rating (max 7 A)
Fade down time 100%-10%	3sec
Fade up time 10%-100%	3sec
Operation frequency	> 100 kHz
I/O port	0-10V; DALI; MODBUS; SmartUART
Thermal protection (power limiter)	90°C
Thermal protection (shutdown)	100°C
Max ambient temperature:	70°C
Min ambient temperature:	-40°C
Protection Class	II
IP protection	IP 65
Weight	800g (±5g)
Dimension	132.1 x 105.2 x 54.3 [mm]

Installation schema:



EU norms and approvals:

- PN-EN 61000-6-2:2008
- PN-EN 61000-4-3:2007 +A1:2008
- PN-EN 61000-4-4:2005
- PN-EN 61000-4-5:2006
- PN-EN 61000-4-6:2009
- PN-EN 61000-4-11:2007
- PN-EN 61000-3-2:2007 +A1:2010+A2:2010
- PN-EN 61347-1:2008